

RJ11 Field

Rugged RJ11 Connection System for Harsh Environment



Description

RJ11Field allows you to use a standard phone RJ11 connection in harsh environments:

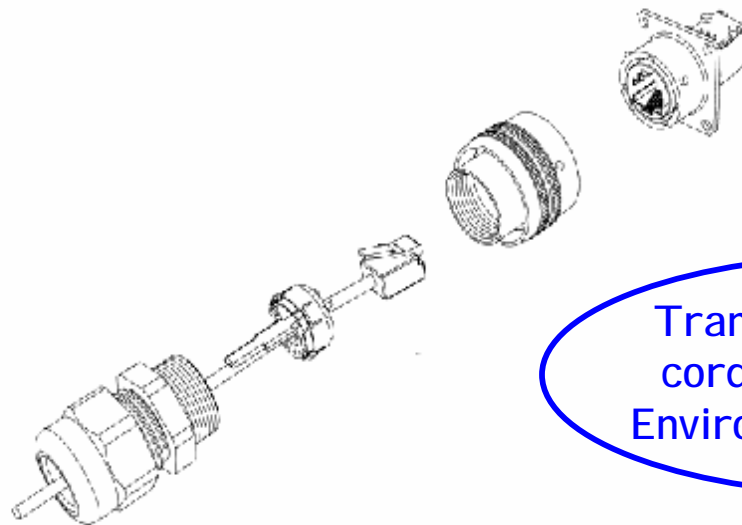
- Sealed against fluids and dusts (IP67)
- Shock, Vibration and Traction resistant
- No cabling operation in field and no tools required
- Mechanical Coding / Polarization (4 positions)

With the patented RJStop® system you can use a **standard RJ11 cordset** in a metallic plug which will protect it from shocks, dust and fluids.

No hazardous in-field cabling !



*Electronica 2004 :
Field series awarded
« Component Product of the Year »*



Transform your RJ11 cordset into a Harsh Environment Connector !

Applications

Outdoor phone lines for :

- Industrial applications
- Battlefield communication

DOC-000059-ANG-C - Oct. 2005



Main Characteristics

Mechanical

- Bayonet coupling ("Audible & Visual" coupling signal)
- 4 mechanical Coding / Polarization possibilities by the user (insert rotation)
- RJ11 cordset retention in the plug : 100 N in the axis
- Mating cycles : 500 min

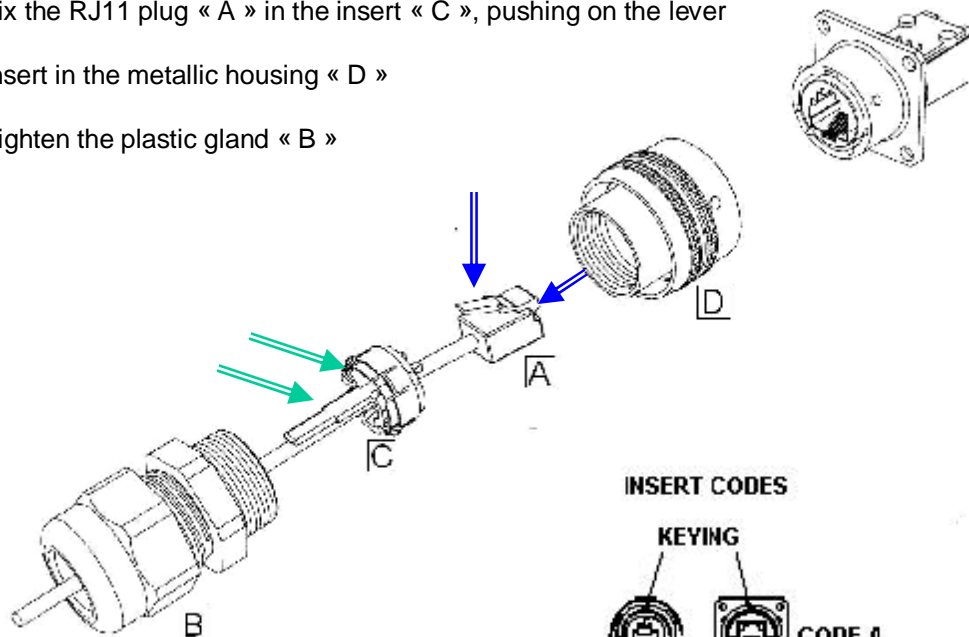
Environmental Protection

- Sealing : IP67
- Salt Spray : 48 h with Nickel plating
> 96 h with black coating
> 500 h with Oliv Drab Cadmium
- Fire Retardant / Low Smoke : UL94 V0 and NF F 16 101 & 16 102
- Vibrations : 10 – 500 Hz, 10 g, 3 axes : no discontinuity > 10 nano s.
- Shocks : IK06 : weight of 250 g drop from 40 cm [15.75 in] onto connectors (mated pair)
- Humidity : 21 days, 43°C, 98% humidity
- Thermal Shock : 5 cycles at - 40°C / +100°C
- Temperature Range : - 40°C / +85°C

Easy and Safe : No field cabling tools required

Assembly instructions :

1. Pass the RJ11 plug « A » through the plastic gland « B »
2. Lateraly slide the insert « C » on the cable
3. Fix the RJ11 plug « A » in the insert « C », pushing on the lever
4. Insert in the metallic housing « D »
5. Tighten the plastic gland « B »



4 coding positions :

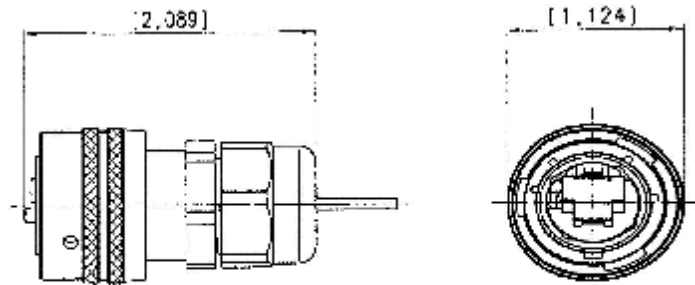
INSERT CODES

KEYING



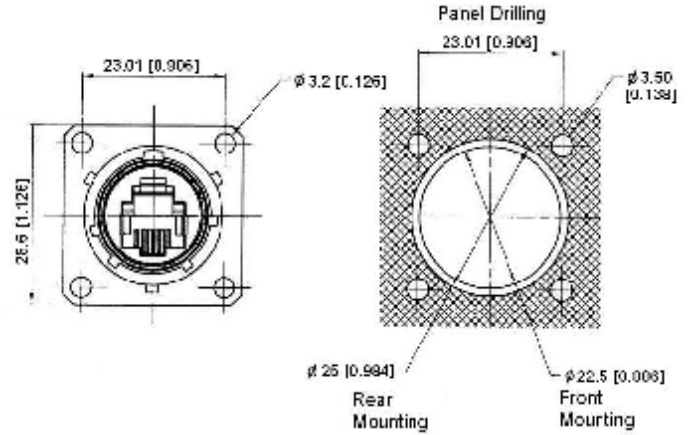
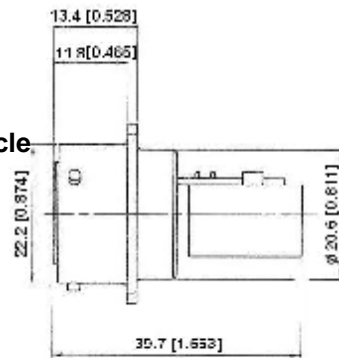
Plug :

Shell type 6
with Plastic Gland

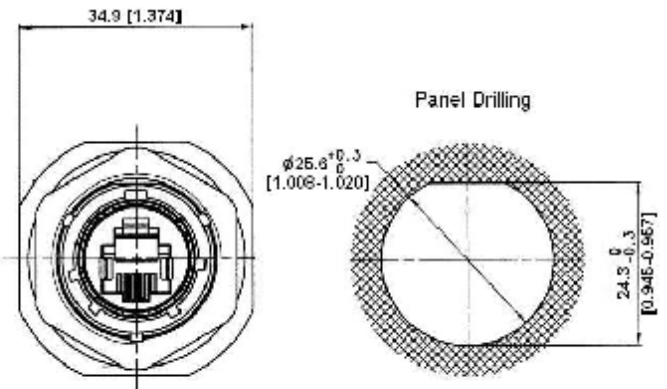
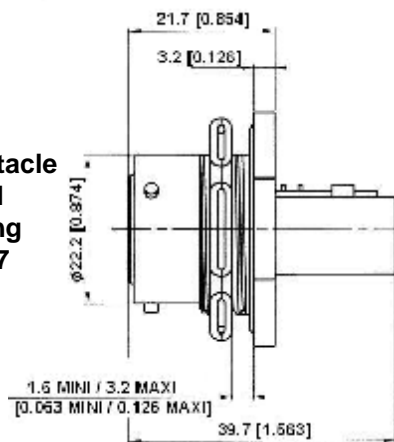


Receptacles :

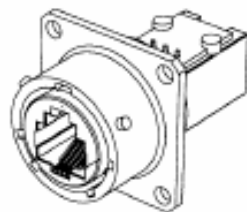
Square flange receptacle
4 mounting holes
Shell type 2



Jam nut receptacle
Hexagonal
Nut mounting
Shell type 7



Back Terminations :



Type 1 : Female RJ11



Type 2 : Solder

6 tined through holes to solder your cable

Part Number Code

HOW TO ORDER

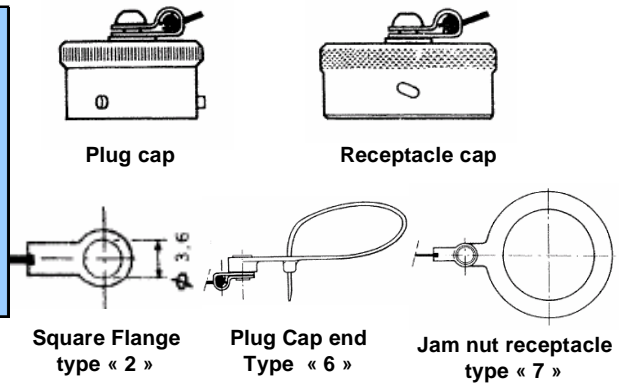
Series RJ11Field	RJ11F	2	2	B
Shell Type 6 : Plug, Plastic Gland 2 : Square Flange Receptacle 7 : Jam Nut Receptacle				
Back Terminations (For Receptacles only) 1 : Female RJ11 2 : Solder (6 tined holes)				
Shell Finishes B : Black Coating N : Nickel G : Olive Drab Cadmium				

- Examples :
- Black Plug: RJ11F 6 B
 - Black square flange receptacle, Female RJ11 Back termination: RJ11F 2 1 B
 - Nickel Jam Nut Receptacle, solder termination : RJ11F 72 N

Accessories :

Metallic cap

	RJ11FC	2	B
Connector Type 6 : Plug 2 : Square Flange Receptacle 7 : Jam Nut Receptacle			
Finishes B : Black Coating N : Nickel G : Olive Drab Cadmium			



Panel gasket for square flange « 2 » thickness : 0,6 mm – P/N : JE 14



Insert removal tool for receptacle and plug – P/N = RJ11F ODE

